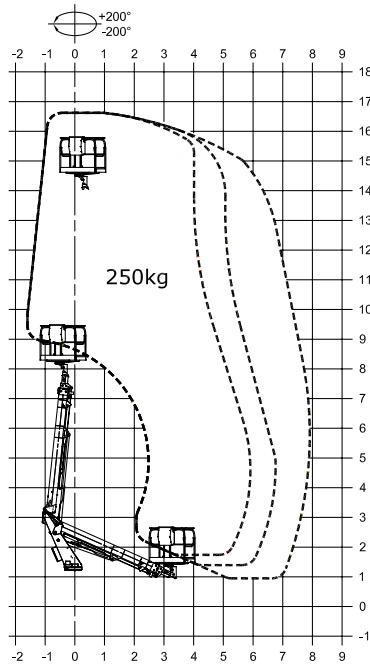
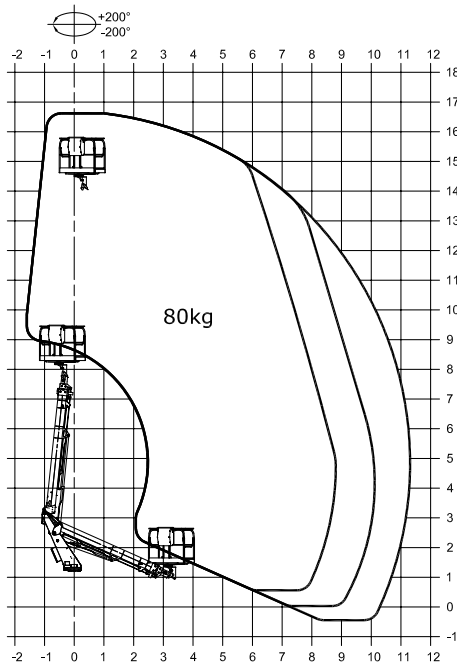


SPECIFICATION

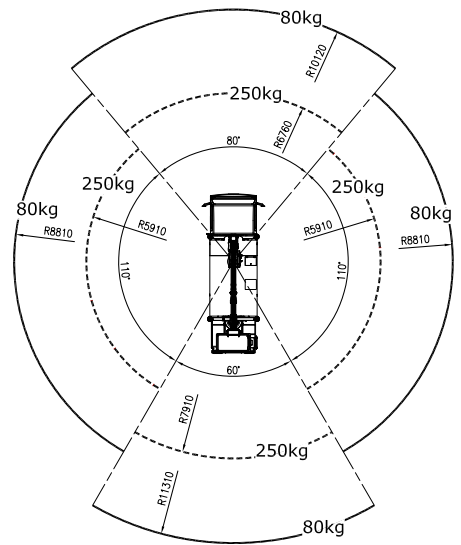
B-LIFT 17 E

520 Ah BATTERY

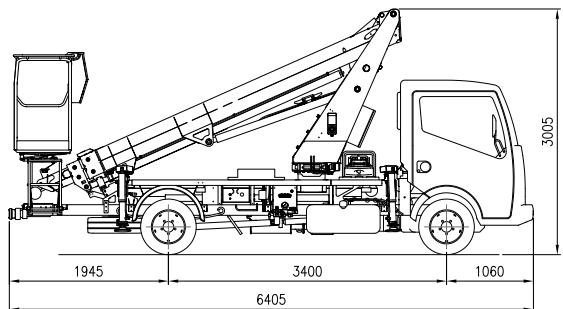
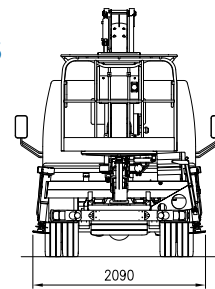
WORKING ENVELOPE



OUTRIGGER FOOTPRINT



DIMENSIONS



16,6 m*



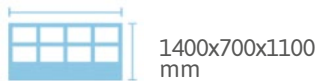
5,9 / 11,3 m*



80 / 250 kg



14,6 m



1400x700x1100 mm



GVW min 3,5 t

* outreach and height max values and repeatability can change within $\pm 3\%$ due to manufacturing variation and working condition.

Product specifications are subject to change without notice or obligation. Technical features and drawings in this brochure are for illustrative purposes only. _B-LIFT 17 E - ed. 04/16



CTE S.p.A.
Headquarter and Factory
 7 Via Caproni - Rovereto (TN) IT, 38068
 Ph. +39 0464 48.50.50 - Fax +39 0464 48.50.99
 info@ctelift.com - www.ctelift.com
Factory 5 Loc. Terramatta - Rivoli Veronese (VR) IT, 37010
CTE UK Ltd Enderby Leicestershire - UK

