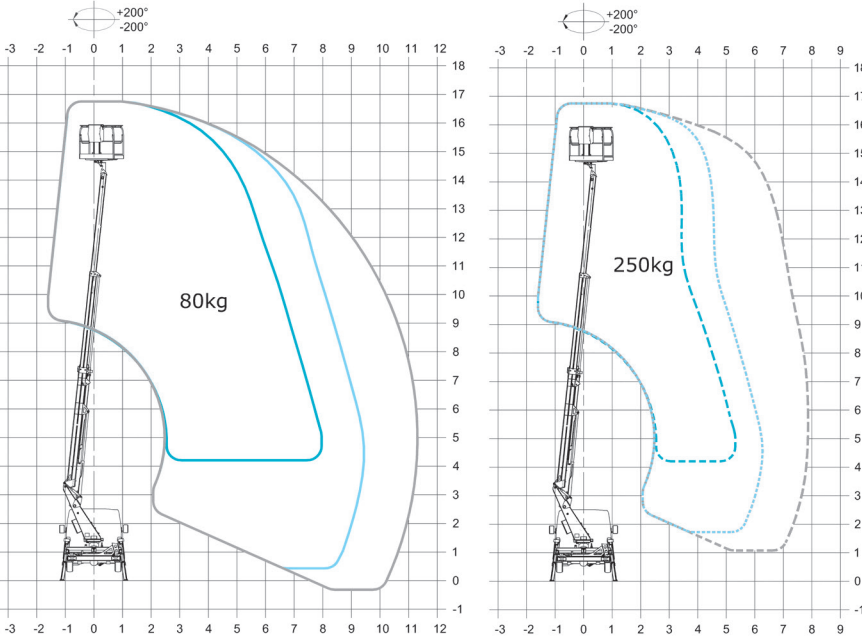


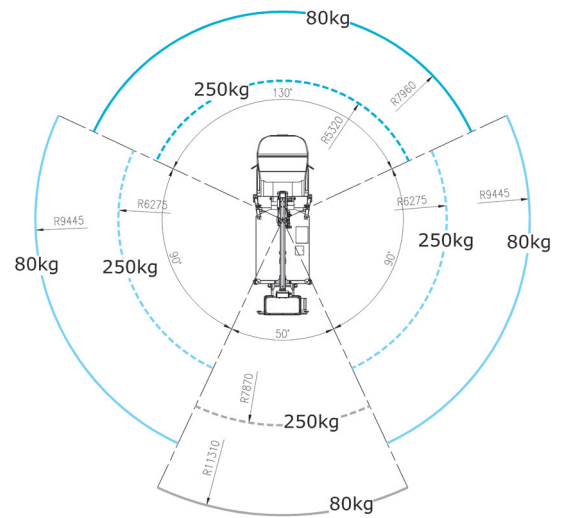
SPECIFICATION

B-LIFT 17 A+H IVECO Daily

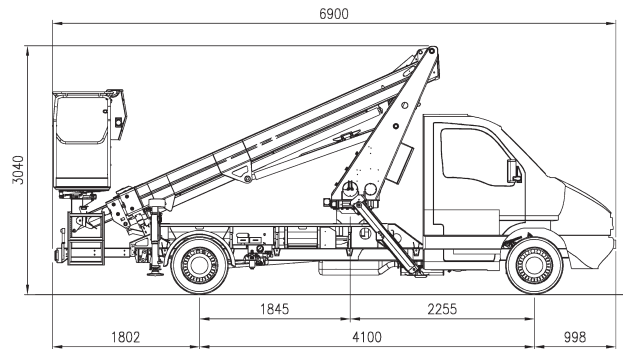
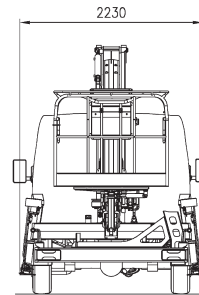
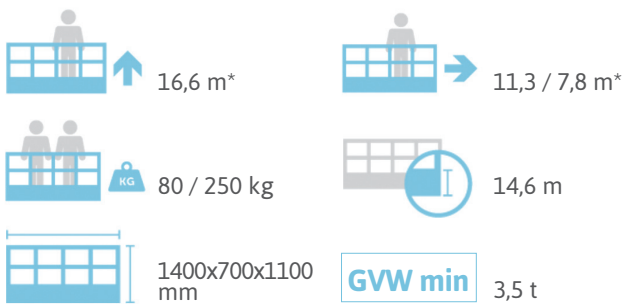
WORKING ENVELOPE



OUTRIGGER FOOTPRINT



DIMENSIONS



* outreach and height max values and repeatability can change within $\pm 3\%$ due to manufacturing variation and working condition.

Product specifications are subject to change without notice or obligation. Technical features and drawings in this brochure are for illustrative purposes only. B-LIFT 17 A+H IVECO Daily - ed. 01/19



CTE S.p.A.
Headquarter 7 Via Caproni - Rovereto (TN) IT, 38068
Ph. +39 0464 48.50.50 - **Fax** +39 0464 48.50.99
info@ctelift.com - **www.ctelift.com**
Factory 5 Loc. Terramatta - Rivoli Veronese (VR) IT, 37010
CTE UK Ltd Enderby Leicestershire - UK

