



Niftylift HR12 4x4

Articulating Boom

With its compact dimensions and class-leading working envelope, the Height Rider 12 has always been versatile and reliable. Add to this a low weight chassis and a powerful 4-Wheel-Drive system and you've got the Height Rider 12 4x4 (HR12 4x4) - one of the most complete 12m (40ft) self propelled boom lifts available.

Its telescopic upper boom provides increased accuracy when positioning the platform and 6.10m outreach make the HR12 4x4 self propelled boom lift perfect for reaching up and over all kinds of obstacles.

The HR12 4x4 self propelled boom lift's deep tread rough terrain tyres provide extra grip even on soft ground. Nifty's trade-mark 'Bi-Energy' option allows the HR12 4x4 self propelled boom lift to work in a wide range of environments.

Telescopic Upper Boom
Greater accuracy when positioning platform

Bi-Energy Available
Optimising Utilisation

Weight Under 3.5 Tonnes
Low cost transportation

Fully Proportional Hydraulic Controls
Simple, reliable & easy to maintain

Slide-Out Canopy
Faster, easier access to engine

Safety Features

- Automatic Failsafe Brakes
- Tilt Alarm
- Foam Filled or Solid Tyres
- Manual Descent with Hand Pump
- Dual Controls (Platform & Base)
- Lock Valves on all Hydraulic Cylinders
- Dual Harness Points
- CE Mark

IPAF Category 3b

Do you hold a valid operator's licence?

The PAL Card (Powered Access Licence) is recognised worldwide as proof of platform operator training to the highest standard.

It is issued by the International Powered Access Federation (IPAF) to platform operators who successfully complete a training course at an IPAF approved training centre.

Quick checklist for employers and operators using powered access machines:

- ✓ I have an IPAF PAL card.
- ✓ Date is still valid (Licence expires after 5 years).
- ✓ All categories for the machine's being used are listed on the PAL card (e.g. 3a, 3b, PAV).

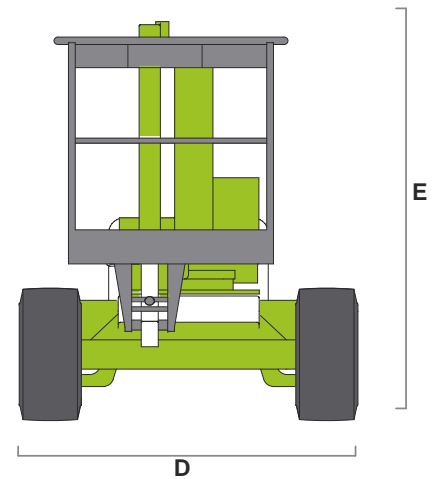
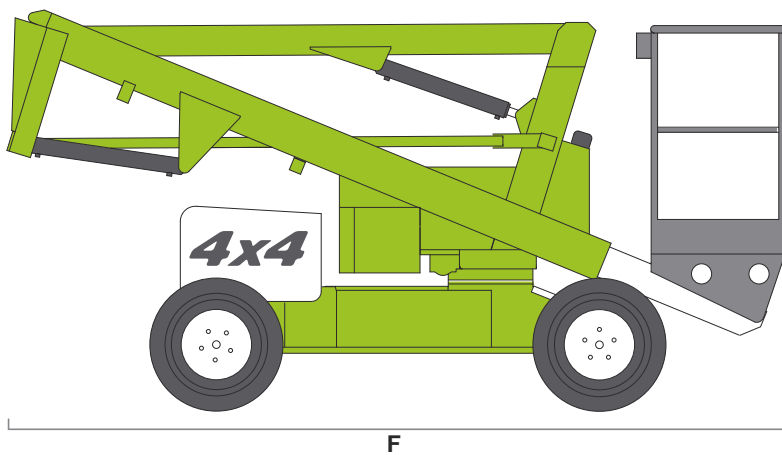
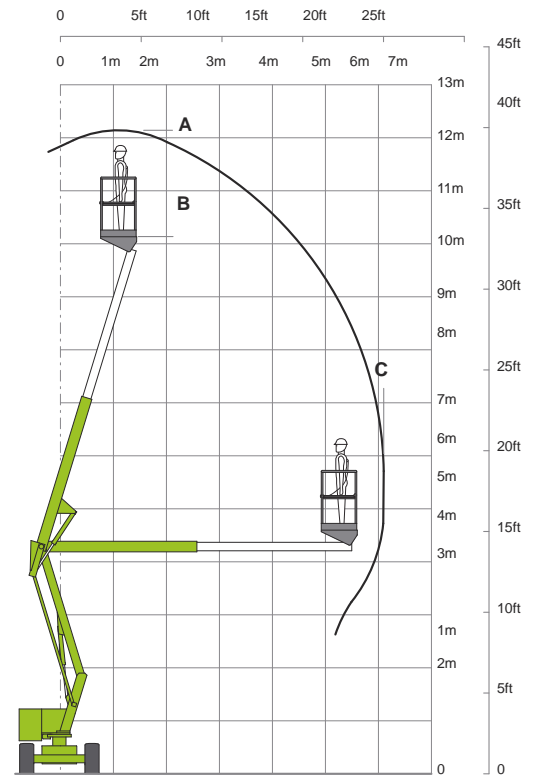
If you can answer yes to all three, you're good to go!

If not, please call us to discuss your requirements and arrange a training course.



HR12 4x4 Articulating Boom

Dimensions	HR12 4x4
A Work Height	12.20 m
B Platform Height	10.20 m
C Horizontal Reach	6.10 m
D Width	1.60 m
E Stowed Height	1.95 m
F Stowed Length	4.10 m
Weight	3,470 kg
Turning Radius	3.40 m
Platform Capacity	200 kg
Platform Size	1.10 m x 0.65 m
Drive Speed	2.2 mph
Gradeability	30% (17°)
Power Options	Diesel Only Bi-Energy (Engine & Battery)



Hire • Sales • Training

 0844 682 0000

www.starplatforms.co.uk

info@starplatforms.co.uk

UK Coverage

We offer a true UK wide hire service via a network of strong, regional access companies who share Star Platforms' values, offering high service levels and quality equipment.

