

Scorpion 2313

ON IVECO DAILY 35S14H



PM Oil&Steel SpA

IT - 41018 S. Cesario Sul Panaro MO

Via G. Verdi, 22

tel. +39 059 936811 • fax +39 059 936804

info@oilsteel.it • www.oilsteel.com

Oil&Steel is a brand of Manitex International

OIL & STEEL
AERIAL PLATFORMS

AERIAL PLATFORM STANDARD EQUIPMENT

- Power takeoff with electrical start-up and automatic release
- Power takeoff ON with no handbrake-warning siren
- Power takeoff hour counter fitted on the dashboard of the vehicle
- Warning lights on the hour counter inside the cabin showing PTO ON and when outriggers are outside the vehicle profile
- Automatic start-up and shutdown of the main engine [and potential auxiliary engine] from the basket and from the column
- Engine emergency stop button from the basket and from the column
- Single-phase, 220 or 110 V AC power socket and differential overload switch fitted on the basket
- Truck cabin anti-collision device
- Moment detection and limiting system
- Aerial part controls: electrohydraulic
- Outriggers controls: hydraulic
- Hydraulic extension of front crossbeams
- Possibility to work with front crossbeams both fully open, fully closed, 1 side opened - 1 side closed
- Hand pump for emergency descent
- Two-person aluminum basket 1400x700x1100 mm
- Hydraulic rotation of the basket 90° right - 90° left
- Protective casing on the control box on the column and on the basket
- Thermal protection on the electrical system
- Lock valves on all cylinders
- Hydraulic circuit maximum pressure valves
- Anti-slip aluminum decking
- Standard painting white RAL 9016

TRUCK STANDARD FEATURES

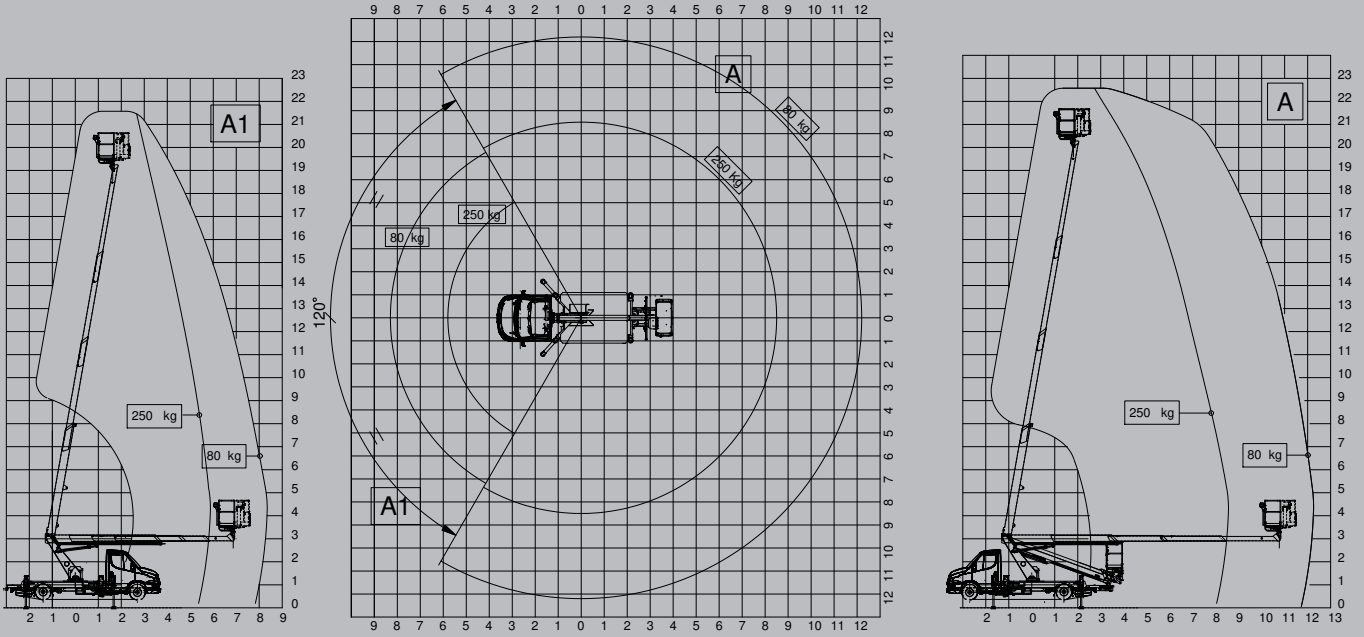
IVECO DAILY 35S14H wheelbase 4100mm

- Mechanical gearbox - 6 gears - 350nm
- 4x2 axle configuration
- 3.5 Ton single wheels
- FIA engine 136 hp EURO VI HD
- Power windows
- Height adjustable driver seat (no air suspension seat)
- Central locking with remote control

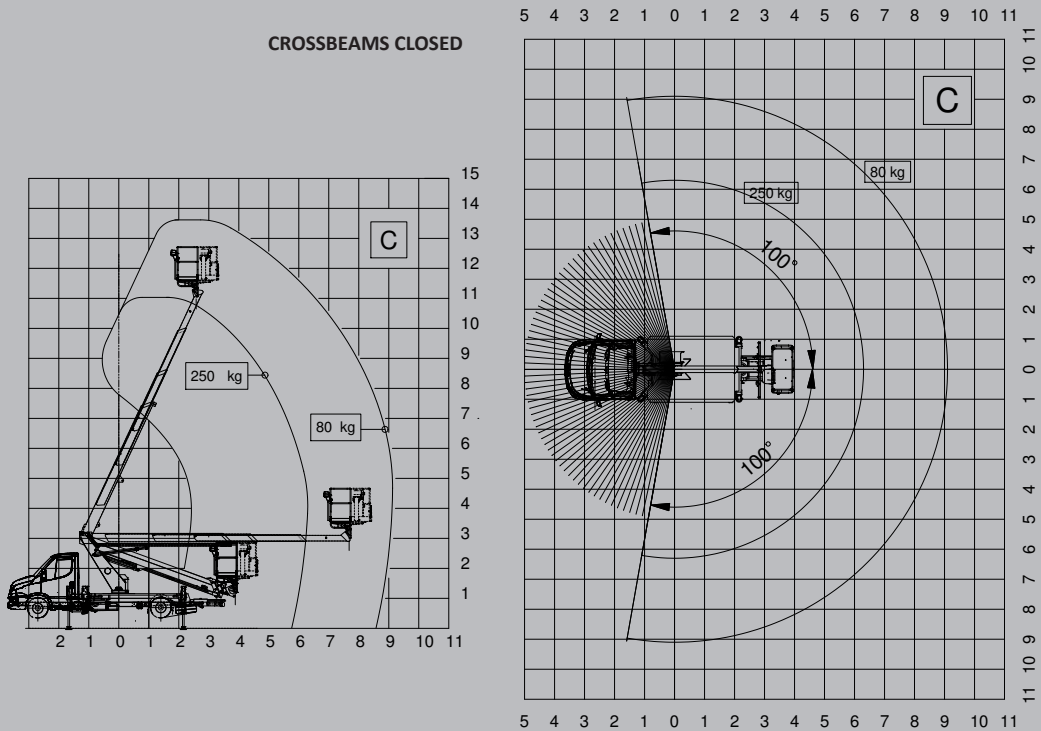
OPTIONAL

- Boom and platform treated using corrosion-resistant paint, screws in stainless steel
- Air-water line supply to the basket
- Underride guards
- Underride guards with plastic toolbox [only if plastic toolbox is included as optional]
- Aluminum basket with door [instead of standard]
- Fiberglass basket 1400 x 700 x 1100 mm [instead of standard]
- Fiberglass basket 1400 x 700 x 1100 mm + insulation 1 KV [instead of standard]
- Basket rotation with rotary actuator [instead of standard]
- Electro-hydraulic extension of front crosspieces and stabilizers [instead of hydraulic extension] - It includes automatic stabilization from the basket
- Automatic stabilization from the ground [in addition to automatic stabilization from the basket]
- Kit 4 nylon outrigger plates [under the platform deck]
- Kit 4 wood outrigger plates [under the platform deck]
- 12V DC socket on the basket
- 12V DC socket + Working light 60W on basket
- Kit 2 harnesses with rope
- Electrical pump 12V DC 1.6 kW for emergency descent
- Auxiliary single-phase 110V AC or 220V AC - 2.2 kW electrical pump [electrical control panel and battery charger powered by an external source]
- Working height limiting device
- Plastic toolbox with dimensions 480 x 400 x 400mm under the deck
- Magnetic 12V revolving orange light for truck cabin
- Magnetic 12V revolving blue light for truck cabin
- Two magnetic 12V revolving orange lights for truck cabin + bar
- Two magnetic 12V revolving orange lights for truck cabin + triflash bar
- Homing function [automatic shutdown of the aerial part]
- Tilt sensor [standard with electro-hydraulic stabilization]
- Led lights on stabilizers
- Rear central aluminum flatbed
- Rear central and left aluminum flatbed
- Kit junction protection [available with or without rotary actuator]
- Red and white reflective decals on truck
- Fixed aluminum side panels 100mm / 150 mm / 200 mm height
- Drop-down panels on 1 side (right) -100 mm / 150 mm / 200 mm height
- Drop-down panels on 2 sides - 100 mm / 150 mm / 200 mm height
- Extended warranty 2 years [+1 year in addition to standard warranty conditions]
- Extended warranty 3 years [+2 years in addition to standard warranty conditions]
- Air conditioning system
- Aluminium toolbox with dimensions 1000 x 500 x 500 mm
- Painting of the truck cabin different from standard
- Painting different from standard

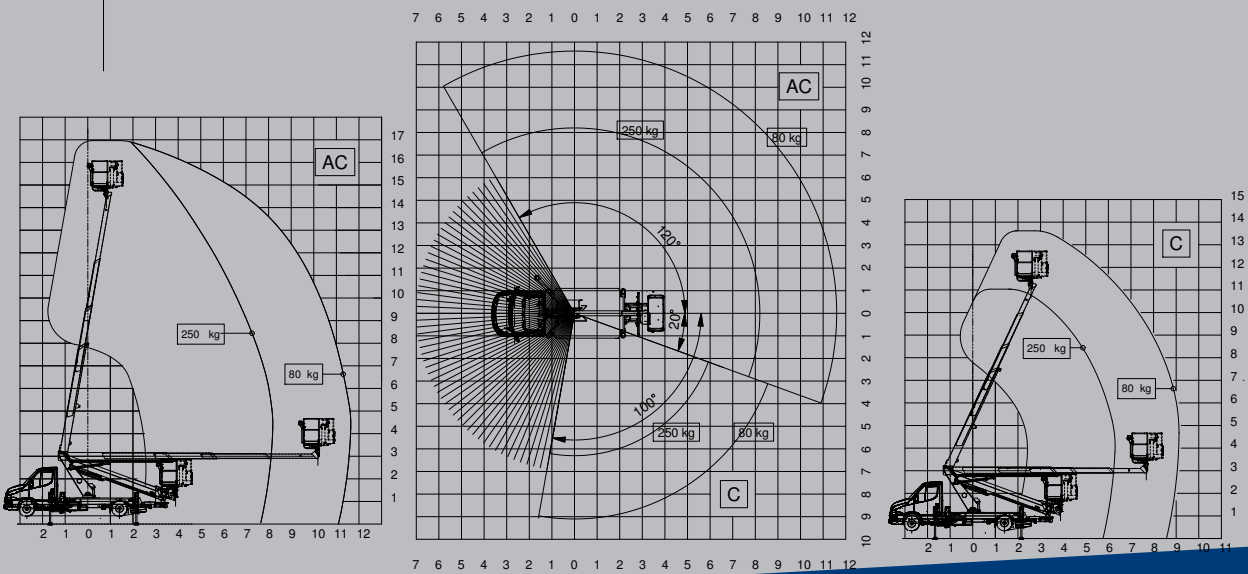
CROSSBEAMS FULLY OPENED



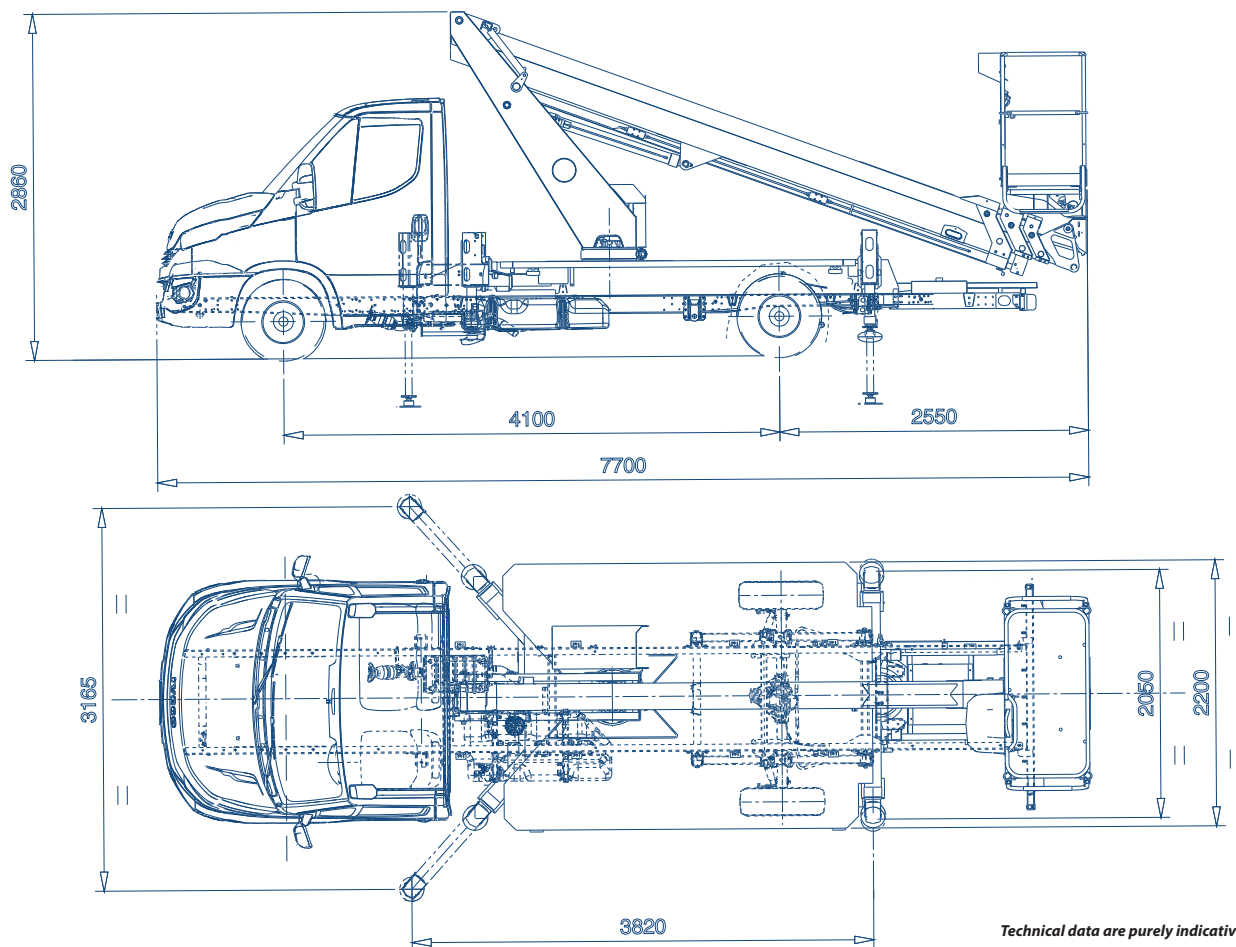
CROSSBEAMS CLOSED



CROSSBEAMS ONE SIDE FULLY OPENED ONE SIDE CLOSED



Scorpion 2313



All technical data, descriptions and illustrations are purely indicative and subject to change at PM Oil&Steel own discretion and without notice

TECHNICAL FEATURES

Max working height (m)	22,6 m
Max outreach (m)	12,8 m
Max basket capacity	250 kg
Basket dimensions	1400x700xh1100 mm aluminium [Fiberglass as optional]
Controls	Aerial part: electro-hydraulic Outriggers: hydraulic
Turret rotation	400°
Basket rotation	90° left + 90° right
Outriggers	H Type
Machine length	7700 mm
Machine height	2860 mm
Machine width	2200 mm

PM Oil&Steel SpA

IT - 41018 S. Cesario Sul Panaro MO
Via G. Verdi, 22
tel. +39 059 936811 • fax +39 059 936804
info@oilsteel.it • www.oilsteel.com

Oil&Steel is a brand of Manitex International

OIL & STEEL
AERIAL PLATFORMS