



H12/15/18 SX



Exceptional rough terrain capability

- Hydraulic differential lock for improved RT capability
- 35cm ground clearance ensures exceptional rough terrain performance
- 4 wheel drive

Excellent manoeuvrability

- Tight turning radius
- Proportional controls for extremely smooth movements



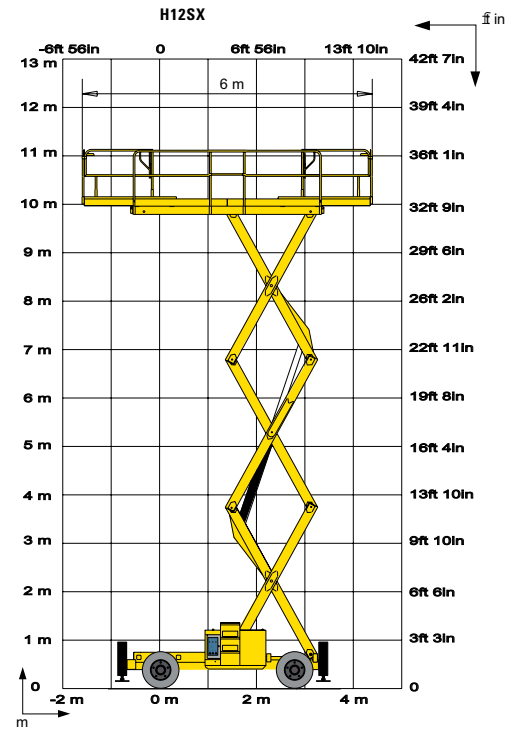


H12 SX / H15 SX / H18 SX

ROUGH TERRAIN SCISSOR LIFTS

TECHNICAL DATA

| | H12 SX | H15 SX | H18 SX |
|-----------------------------------|-----------------|-----------------|-----------------|
| Working height | 12 m | 15 m | 18 m |
| Platform height | 10 m | 13 m | 16 m |
| Drive speed | 1.6 - 6 km/h | 1.6 - 6 km/h | 1.6 - 6 km/h |
| Driveable at full height up to | 10 m | 10 m | 10 m |
| Lift capacity | 700 kg | 500 kg | 500 kg |
| H Length | 4.18 m | 4.12 m | 4.18 m |
| B Width | 2.25 m | 2.25 m | 2.25 m |
| C Height - stowed | 2.57 m | 2.77 m | 2.97 m |
| Storage height | 1.71 m | 1.91 m | 2.11 m |
| G Platform length | 3.91 m | 4 m | 4 m |
| A Extended platform length | 6 m | 6 m | 6 m |
| Platform extension length | 1 m | 1 m | 1 m |
| F Platform width | 1.89 m | 1.89 m | 1.89 m |
| D Wheelbase | 2.75 m | 2.75 m | 2.75 m |
| E Ground clearance | 27 cm | 35 cm | 35 cm |
| Number of extensions | 2 | 2 | 2 |
| Turning radius - outside | 4.96 m | 4.96 m | 4.96 m |
| Lift / lower speed | 43 s / 65 s | 46 s / 57 s | 60 s / 60 s |
| Engine | 23.1 kW - 31 Hp | 23.1 kW - 31 Hp | 23.1 kW - 31 Hp |
| Gradeability | 40 % | 40 % | 40 % |
| Tires - foam-filled | 10-16.5 | 10-16.5 | 10-16.5 |
| Hydraulic system capacity | 100 l | 100 l | 100 l |
| Weight | 5640 kg | 6340 kg | 7300 kg |



STANDARD EQUIPMENT

- 4 wheel drive (2 wheel steer)
- 5° tilt alarm
- 2 metres of platform extension
- Platform Load Management System
- 12 V - 95 Ah batteries
- 14 V - 50 A alternator
- Removable operator's control box
- Free wheeling device
- Hourmeter
- Horn
- Towing and lifting hooks
- Hydraulic brakes
- Centralised stabiliser (H18 SX)
- Manual emergency lowering system

OPTIONS AND ACCESSORIES

- Rotating beacon
- Travel alarm
- Power to platform
- Working light
- Encoded starting device
- Biodegradable hydraulic oil
- Motion alarm for movements and translation
- Non-marking tyres
- Warm Environment Kit
- Centralised outrigger control with automatic levelling (standard on H18SX)

